



BOTTLE FILLER

BF2S Series

MODEL: BF2S

SENSOR OPERATED
BOTTLE FILLER

STANDARD FEATURES

- 115v Plug-in Transformer
- 100 mesh inlet strainer
- Laminar Flow Water Supply
- Hands Free Sensor Operation
- 1 G.P.M. Fill Rate (Min. Set Pressure 40 PSI)
- 100% Lead & Brass Free

SUGGESTED SPECIFICATIONS

Model BF2S is a 9 volt Sensor Operated Bottle Filler designed to be used with an Acorn A171 or A111 Series Barrier-Free Water Cooler. When installed properly, the Bottle Filler complies with ADA forward reach requirements. Cabinet shall be stainless steel. Unit is certified to ANSI A117.1, Public Law 111-380 (NO-LEAD), CHSC 116875 and NSF/ANSI 61, Section 9.



Model BF2S-BCD Shown
**U.S. DESIGN PATENT PENDING

"INDOOR USE ONLY"

MODEL:

(Must Specify)

- BF2S 18 Gage 304 Stainless Steel

OPTIONS

(additional costs may be incurred)

- BAT Battery Operated
(N/A With Bottle Counter)
- BCD Bottle Counter Display
- WF1 1500 gallon capacity, NSF 42+53,
1 micron lead reduction filter

Complies with the following standards:



Federal Public Law 111-380 (No Lead)



Member of U.S. Green Building Council



Recyclable Product



Water Conserving Product

WARNING: Cancer and Reproductive Harm - www.P65Warnings.ca.gov

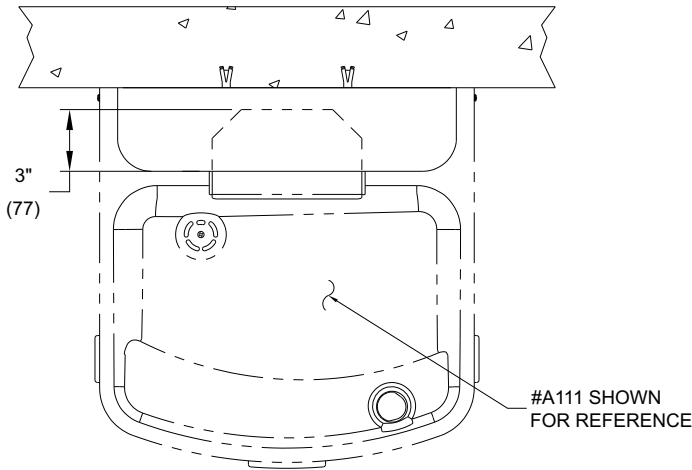
MURDOCK MFG. • 15125 Proctor Avenue • City of Industry, CA 91746 USA
Phone 800-453-7465 or 626-333-2543 • Fax 626-855-4860 • www.murdockmfg.com

Member of MORRIS GROUP INTERNATIONAL

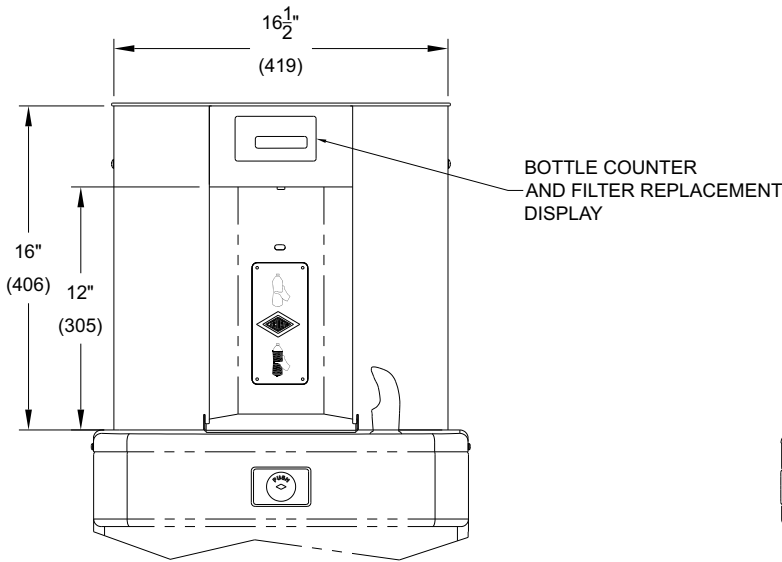


BOTTLE FILLER

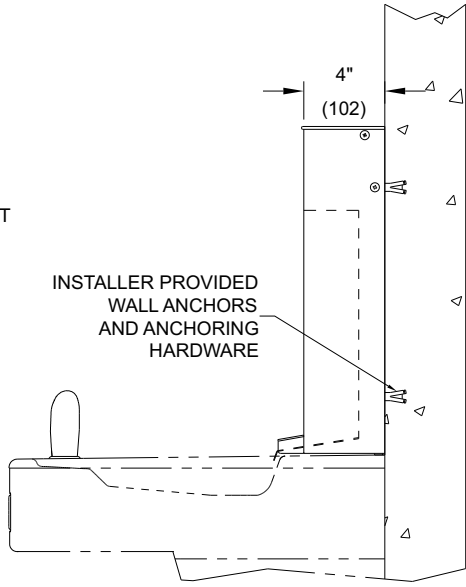
BF2 Series MODEL A000000-BF2 SENSOR OPERATED BOTTLE FILLER



TOP VIEW



FRONT VIEW



SIDE VIEW

GENERAL NOTES:
1. ALL DIMENSIONS ARE IN INCHES (MM).

Murdock Mfg.™ warrants that its products are free from defects in material or workmanship under normal use and service for a period of one year from date of shipment. Murdock's liability under this warranty shall be discharged solely by replacement or repair of defective material, provided Murdock™ is notified in writing within one year from date of shipment, F.O.B. Industry, California.

SELECTION SUMMARY & APPROVAL FOR MANUFACTURING	Model Number & Options _____	Quantity _____	All dimensions are subject to manufactures tolerance of plus or minus 1/2" nominal and subject to change without notice. Murdock assumes no responsibility for use of void or superseded data. Dimensions may change with the addition of optional accessories. Murdock Mfg.™, Member of Morris Group International™. Please visit www.murdockmfg.com for most current specifications.
	Company _____		
	Contact _____	Title _____	
	Signature (Approval for Manufacturing) _____	Date _____	

MURDOCK MFG. • 15125 Proctor Avenue • City of Industry, CA 91746 USA
Phone 800-453-7465 or 626-333-2543 • Fax 626-855-4860 • www.murdockmfg.com

Member of MORRIS GROUP INTERNATIONAL